

Comparative analysis of fluidized bed and fixed bed in obtaining data on the pellet combustion regime

Tânia Ferreira¹, Carlos Pereira², João Monney Paiva², Carlos Pinho¹

¹Faculdade de Engenharia da Universidade do Porto, Portugal

²Instituto Superior Politécnico de Viseu, Portugal

1. Fuels

Pinus pinaster



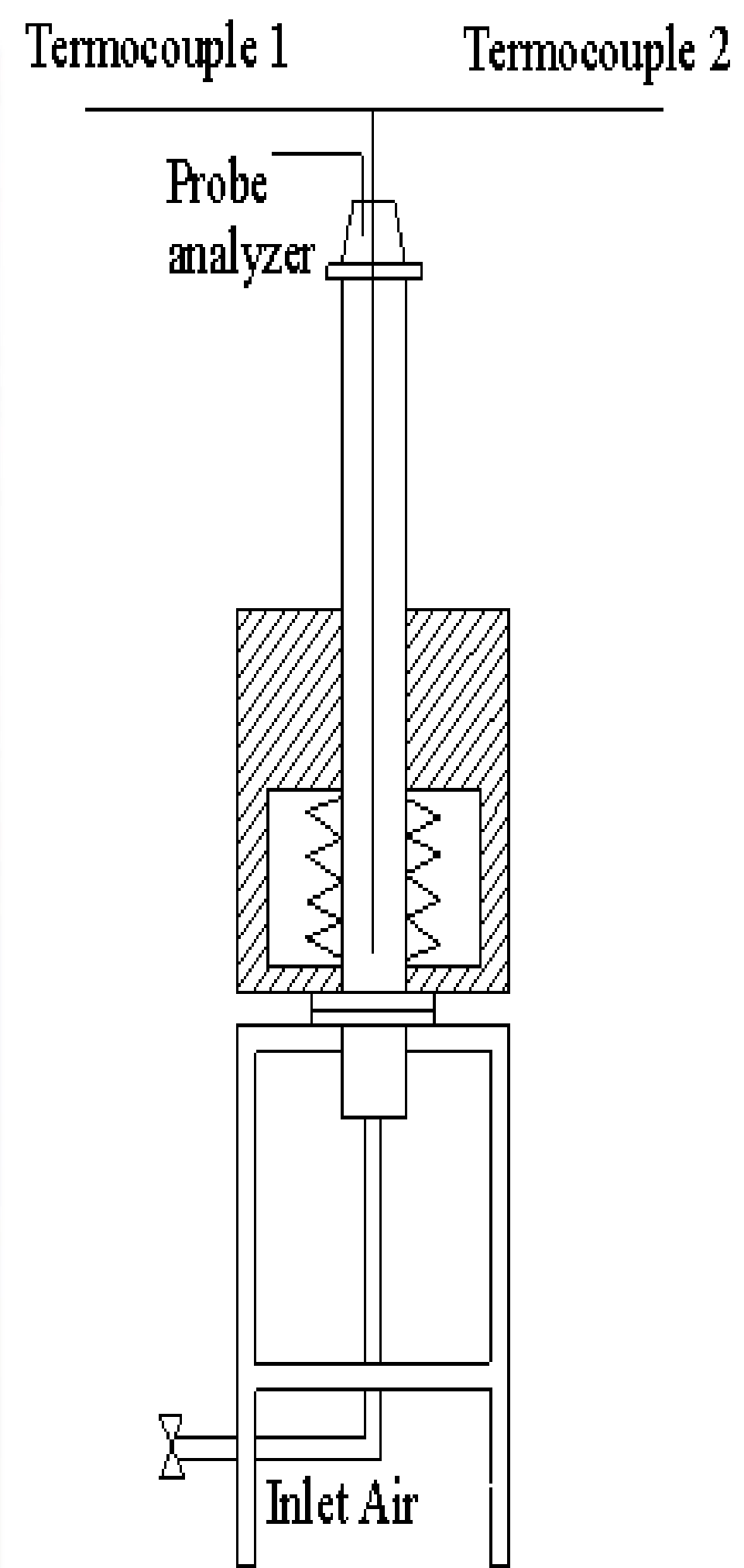
Acacia dealbata



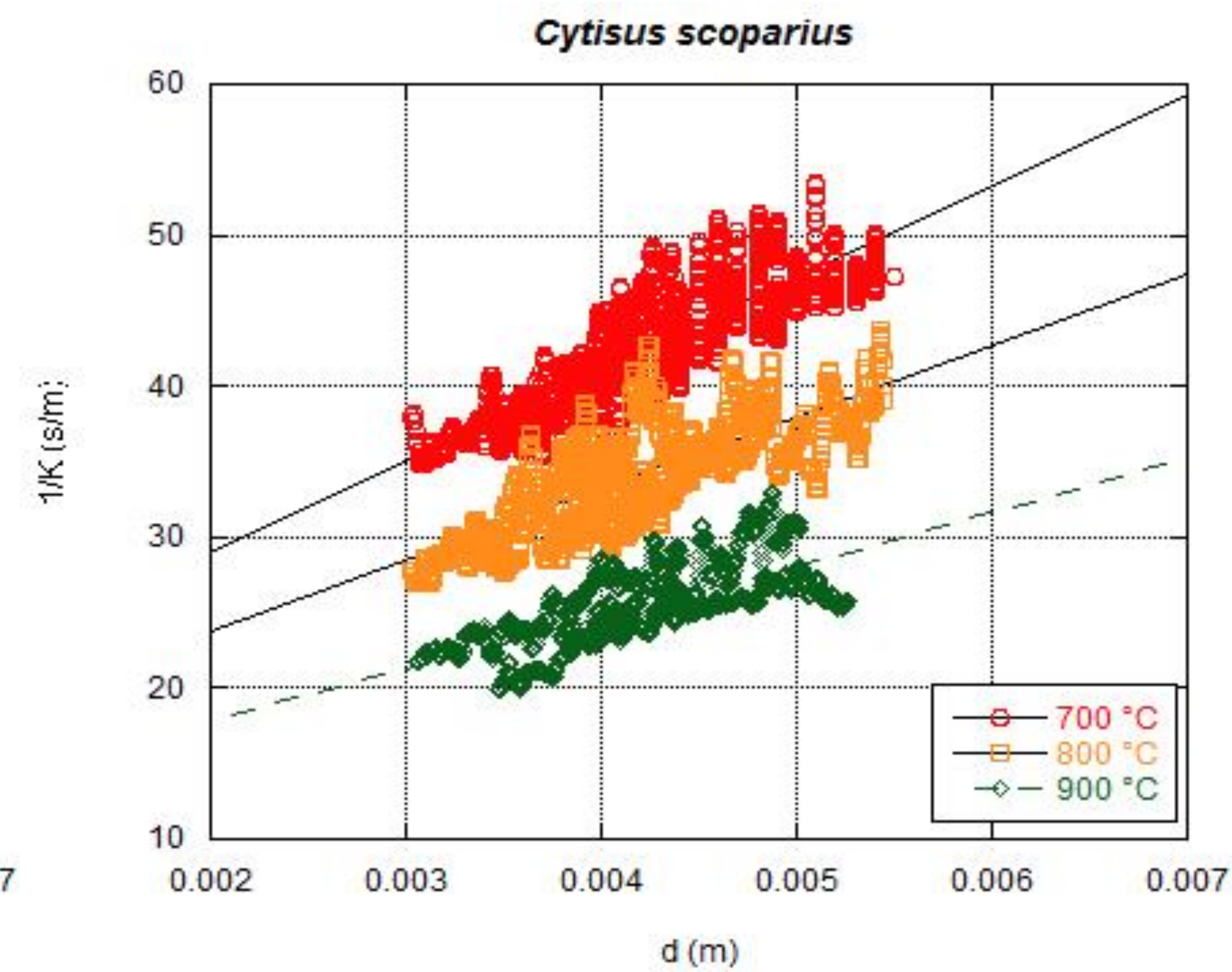
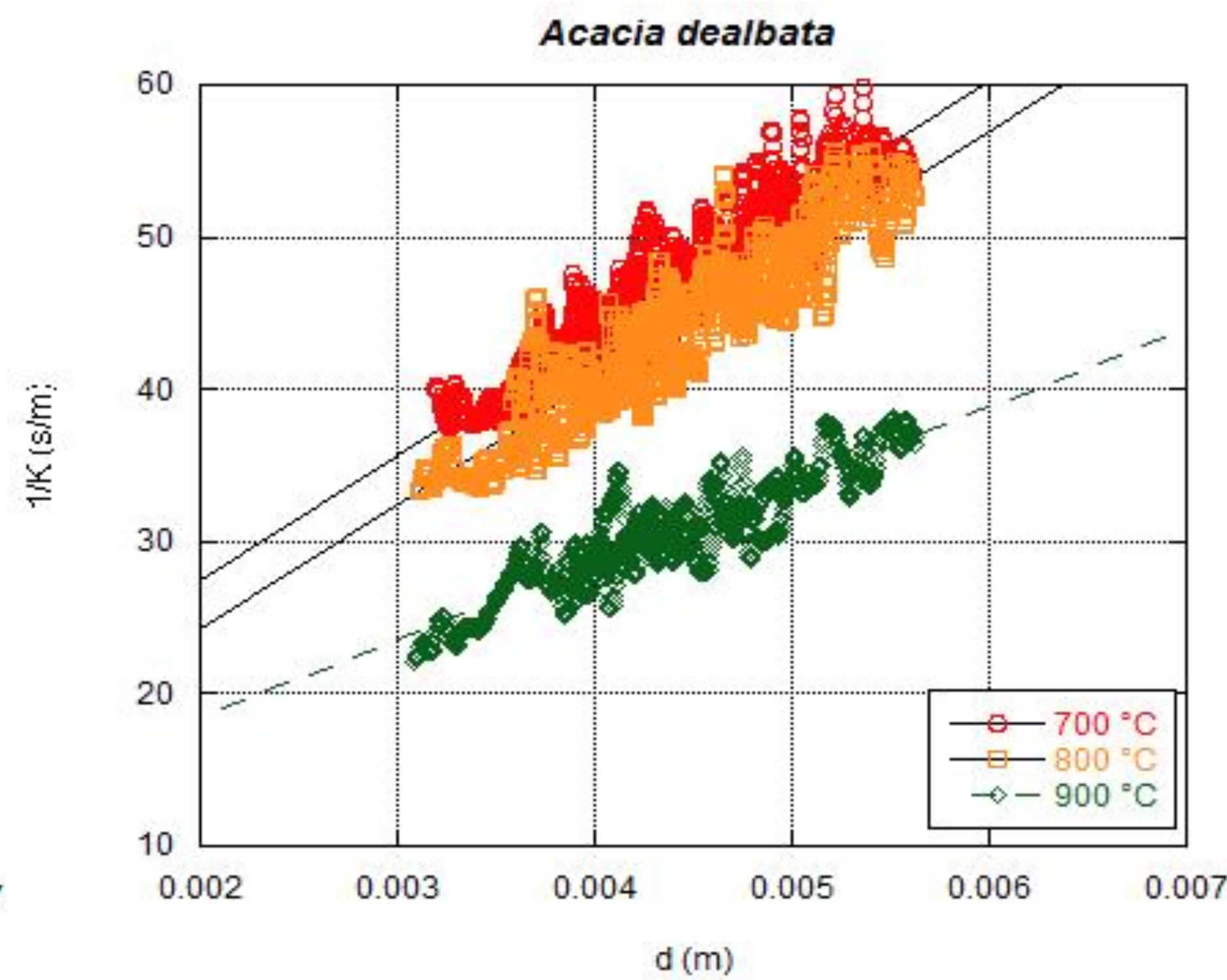
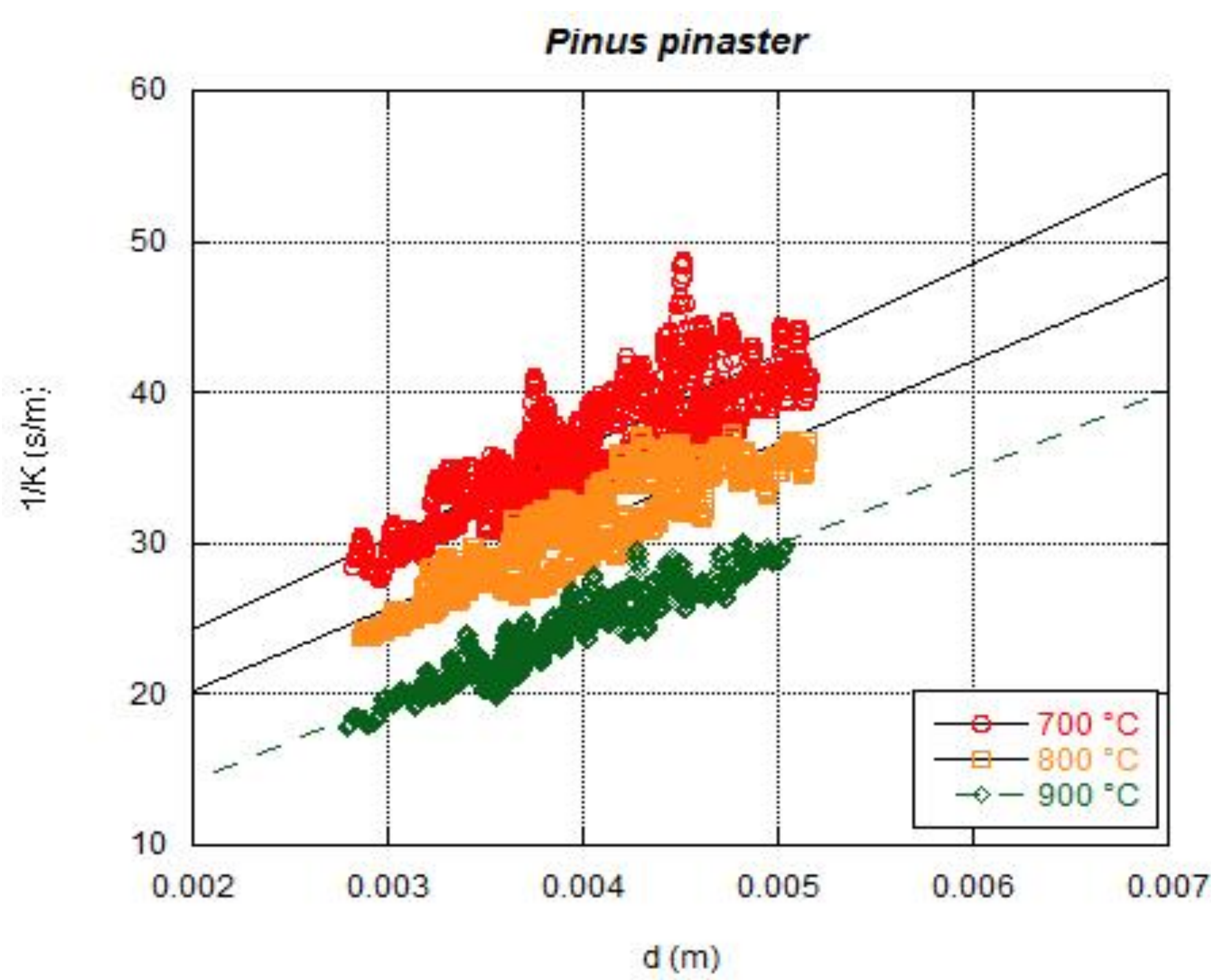
Cytisus scoparius



2. Experimental set-up



3. Fluidized bed – diffusive and kinetic data



4. Fixed bed – diffusive and kinetic data

